

BMW Motorrad Service

Wheel balancing and tyre fitting
with Beissbarth



- MT 825 Bike wheel balancer:
Simple and compact
- MS 500 Bike tyre changer:
With automatic tilting-back post

MT 825 Bike wheel balancer: Simple and compact

For wheels with:

- a diameter of up to 820 mm
- a width of up to 330 mm

Large control panel

For easy wheel data input



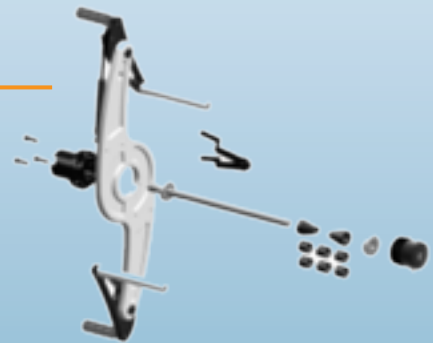
Included in the scope of delivery

- MT 825 Bike
- Motorcycle adapter flange

BMW order number 81 24 2 413 481

Space-saving wheel hood

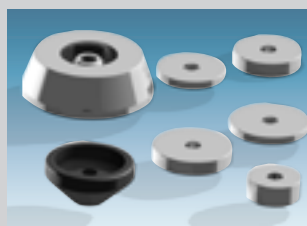
Reduces the required space at the workshop



The motorcycle adapter flange includes:

- Complete ProBike wing
- Conic ProBike chuck
- M6x25 hexagon-socket screw
- Mortise key
- Conic 14-mm centring shaft
- M14 wheel nut
- Spacer $\varnothing 15$ mm
- Centring cone
- Quick-Fix quick-clamping nut $\varnothing 15$ mm

Passenger-car flange can be ordered separately



Required accessories

BMW centring set: adapter for different BMW rear tyres

BMW order number 81 24 2 414 597

MS 500 Bike tyre changer: With automatic tilting-back post

For wheels with:

- a diameter of up to 1,000 mm
- a width of up to 10"

Included in the scope of delivery

- MS 500 Bike
- Adapter for motorcycles and scooters
- Plastic clamping-jaw protection
- Bead-breaker plate
- Tyre lever
- Tyre inflator

BMW order number

81 25 2 413 499

Plastic mounting head

Automatic tilting-back post

Adapter for motorcycles and scooters

Special design suitable for all BMW tyres

Bead-breaker adapter

Bead braking without disassembling the brake discs

Adjustable bead-breaker designed for motorcycles
For tyre widths of up to 300 mm



Adapter for motorcycles and scooters

1 set = 4 pieces



Plastic clamping-jaw protection

1 set = 4 pieces



Ultra-flat bead-breaker plate

Easily pushes the bead into the rim well in a manner which is easy on the rims



Technical data MT 825 Bike

Power supply other voltages available upon request	230 V / 50 Hz
Balancing speed (50-60 Hz)	206 rpm
Max. tyre weight	65 kg
Max. tyre diameter	820 mm
Max. tyre width	330 mm
Rim diameters	6 – 24 "
Rim widths	1 – 20 "
Accuracy	1g / 0.05 oz
Measuring time	10 seconds
Max. size (L x W x H)	1,100 x 1,250 x 1.000 mm



Technical data MS 500 Bike

Power supply other voltages available upon request	230 V / 50 Hz
Pneumatic operating pressure	8 – 10 bar
Clamping area with motorcycle adapter	7 – 23 "
Max. wheel diameter	1,000 mm
Max. wheel width	10 "
Rotational speed of the clamping turntable	7,5 rpm
Bead breaker	for wheel widths of up to 300 mm
Bead-breaker force	11,000 N
Max. size (L x W x H)	1,450 x 1,760 x 1,680 mm

Subject to technical modification and changes to scope of delivery.
Pictures may sometimes show special accessories or similar versions.

BMW Motorcycle
Workshop equipment

mc-workshopequipment@bmw-motorrad.com

Beissbarth GmbH
A Bosch Group Company
Hanauer Strasse 101
80993 Muenchen (Munich, Bavaria)
Germany

Tel. +49-89-149 01-0
Fax +49-89-149 01-240

www.beissbarth.com
sales@beissbarth.com

